

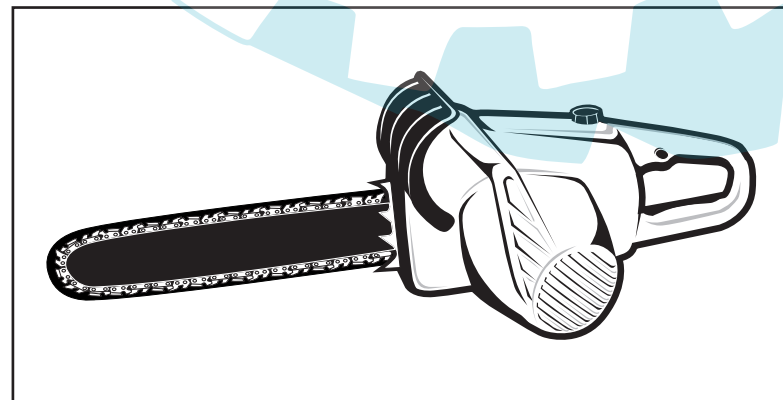
McCULLOCH®

PARTNER Poulan®

ILLUSTRATED PARTS LIST

- ELECTRAMAC 330-335-340** / 1650W
- ELECTRAMAC 312-314-316** / 1500W
- EUROMAC S312-S314-S316** / 1500W
- PARTNER P1535** / 1500W
- PARTNER P1640** / 1650W
- POULAN 530-535** / 1500W

SERIAL NUMBER PREFIX 02



January 2002

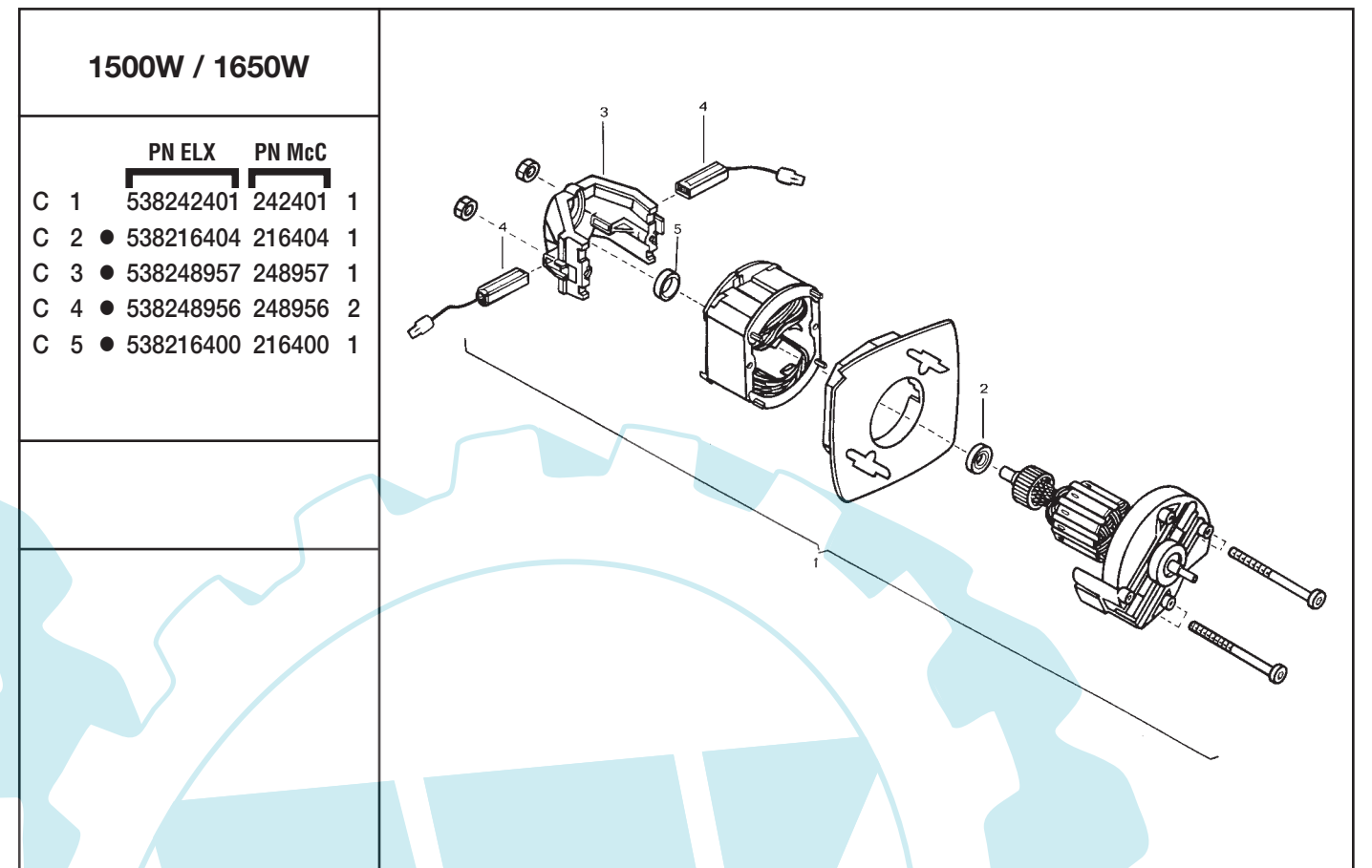


FIGURE 2

A = high moving - alta rotazione - haute demande - große Nachfrage
 B = medium moving - media rotazione - moyenne demande - mittelmäßige Nachfrage
 C = slow moving - bassa rotazione - basse demande - wenige Nachfrage

	PN ELX	PN McC		
2	538241518	241518	YELLOW/GIALLO/JAUNE/GELB	1
	538241840	241840	GREY/GRIGIO/GRIS/GRAU	1
	538241847	241847	GOLD/ORO/OR/GOLD	1
	538241969	241969	GREEN/VERDE/VERT/GRUN	1
3	538241519	241519	YELLOW/GIALLO/JAUNE/GELB	1
	538241841	241841	GREY/GRIGIO/GRIS/GRAU	1
	538241848	241848	GOLD/ORO/OR/GOLD	1
	538241970	241970	GREEN/VERDE/VERT/GRUN	1
C 4	538248317	248317		1
C 5	● 538241066	241066		1
C 7	538241050	241050	(SCHUKO)	1
C	538241668	241668	UK	1
C	538241033	241033	CH	1
8	538241052	241052		1
9	538241077	241077		2
10	538241051	241051		1
C 11	538241053	241053		1
12	538240794	240794		1
13	538229797	229797		1
14	538241048	241048		1
15	538241055	241055		1
16	538241056	241056		1
17	538241057	241057		1
C 18	FIGURA 2	FIGURA 2		1
C 19	538004305	4305		1
B 20	● 538241060	241060		1
C 21	● 538242402	242402		1
A 22	538235217	235217		2
25	538240862	240862		8
26	538241036	241036		1
A 27	538241037	241037		1
B 28	538235367	235367		1
B 29	538241167	241167	M5X30	1
30	538229082	229082		1
B 31	538229137	229137		1
C 32	538241075	241075		1
B 33	538241038	241038		1
C 34	538241074	241074		1
B 35	538229137	229137		1
C 36	538241073	241073		1
C 37	538241041	241041		1
38	538241045	241045		1
C 39	538229743	229743		1
40	538241044	241044		1
41	538241500	241500		1
42	538241451	241451		1
C 43	538229743	229743		1
B 44	538241183	241183		1
45	538240862	240862		1
A 46	538241035	241035		2
47	538240862	240862		5
48	538241029	241029		1
C 49	538247717	247717		1
50	● 538229394	229394		1
51	● 538241144	241144		1
52	● 538241043	241043		1
C 53	538242365	242365		1

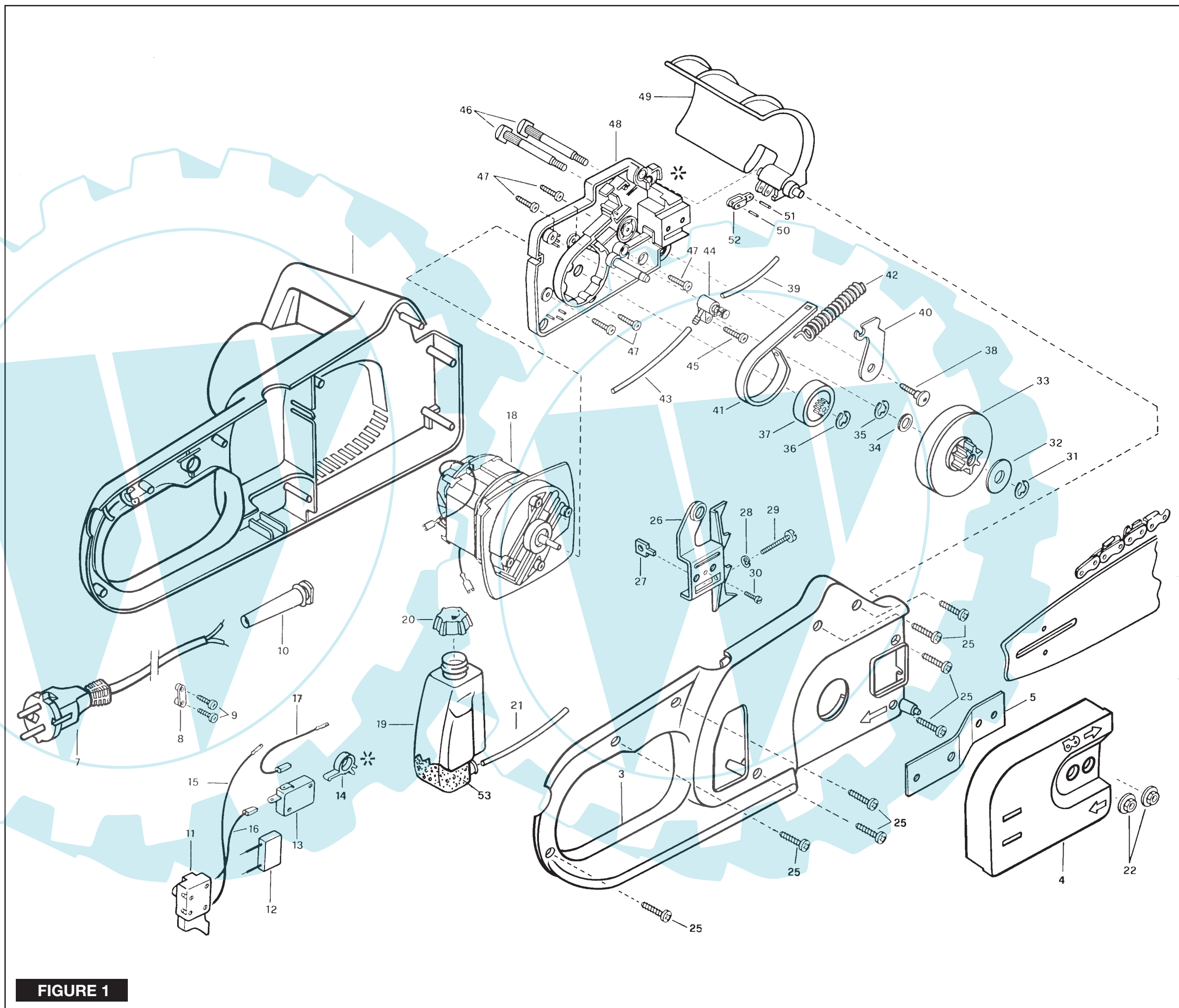


FIGURE 1

A = high moving - alta rotazione - haute demande - große Nachfrage
 B = medium moving - media rotazione - moyenne demande - mittelmäßige Nachfrage
 C = slow moving - bassa rotazione - basse demande - wenige Nachfrage